

Spring Hangers

2-inch Deflection

- SH-2A
- SHDD-2A
- SH-2B
- SHDD-2B
- SH-2C
- SHDD-2C

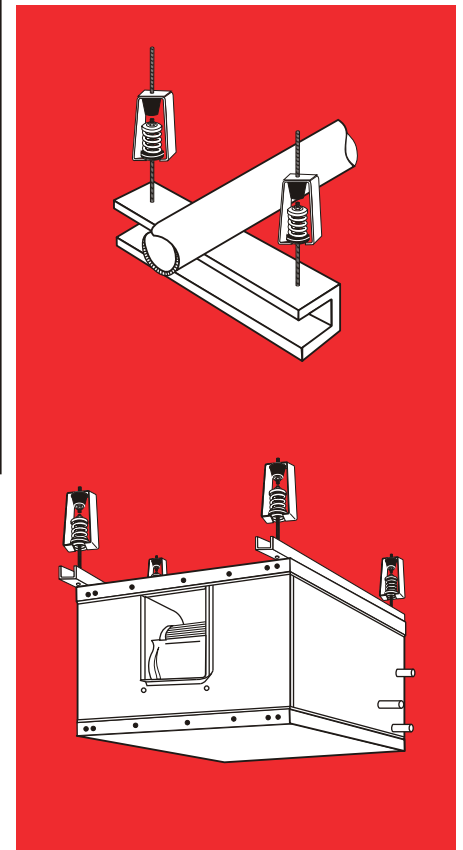
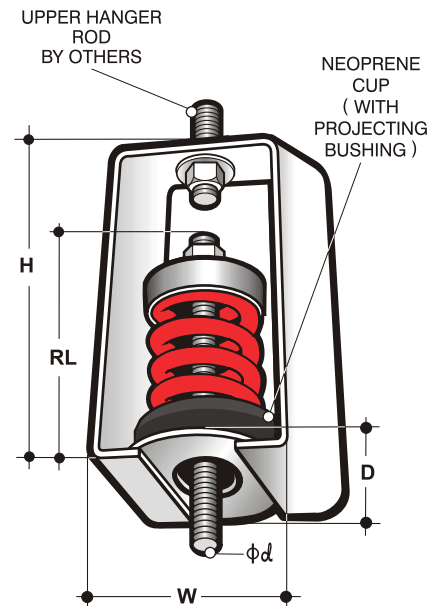
SH-2A, SH-2B & SH-2C and their “SHDD” outgrowths are Tomahawk design of 2 inch (50mm) rated deflection spring hanger series for better vibration isolation efficiency than that of the normal 1 - inch (25mm) type.

The spring is mounted in a neoprene cup, with projecting bushing passing through and holding firm in place with grommet to the lower support washer of hanger frame. The neoprene cup serves as noise barrier and prevents “short-circuiting” of hanger rod with hanger frame.

An electroplated steel cap mounted on the spring will carry the load to the spring. The hanger frame is constructed from thick gauge steel plates with large load bearing safety factor embedded in the design.

For lateral stability the criteria of the ratio, spring outside diameter to loading operating height is equal to or greater than 0.80 is being adhered to and the spring is optimally designed for safe load stress and a 50% overload capacity. *(see note)

Model / Size	Rated Load (lbs.)	Rated Defl.*1 (in.)	Spring Color Code	Spring Rate*2 (lbs./in.)	Dimension (mm)				
					H	W	D	RL*	φd
SH-2A15e	15	2.05	orange	7.32	150	85	76	140	M12
SH-2A20e	20	2.00	blue	10.00					
SH-2A25e	25	2.00	yellow	12.50					
SH-2A37e	37	2.00	green	18.50					
SH-2A53e	53	2.00	black	26.50					
SH-2A70e	70	2.00	orange	35.00					
SH-2A85e	85	2.00	red	42.50					
SH-2A105e	105	2.00	yellow	52.50					
SH-2A160e	160	2.00	blue	80.00					
SH-2A210e	210	2.00	brown	105.00					
SH-2A265e	265	2.00	green	132.50					
SH-2B150	150	2.00	brown	75.00	190	100	90	155	M16
SH-2B200	200	2.00	orange	100.00					
SH-2B260	260	2.00	pink	130.00					
SH-2B320	320	2.00	grey	160.00					
SH-2B410 * ⁽¹⁾	410	2.00	black	205.00					
SH-2B500i * ⁽⁴⁾	500	2.00	black + yellow	250.00					
SH-2B530 * ⁽²⁾	530	2.00	dark blue	265.00					
SH-2B600i * ⁽⁵⁾	600	2.00	dark blue + orange	300.00					
SH-2B650i * ⁽⁶⁾	650	2.00	dark + red	325.00					
SH-2B750i * ⁽⁷⁾	750	2.00	dark blue + pink	375.00					
SH-2C260	260	2.25	brown	115.56	210	115	110	170	M20
SH-2C340	340	2.20	blue	154.55					
SH-2C430	430	2.00	yellow	215.00					
SH-2C570	570	2.00	black	285.00					
SH-2C765 * ⁽³⁾	765	2.00	orange	382.50					
SH-2C850i * ⁽⁸⁾	850	2.00	orange + yellow	425.00					
SH-2C930i * ⁽⁹⁾	930	2.00	orange + black	465.00					
SH-2C1100i * ⁽¹⁰⁾	1100	2.00	orange + red	550.00					
SH-2C1220i * ⁽¹¹⁾	1220	2.00	orange + yellow	610.00					
SH-2C1270i * ⁽¹²⁾	1270	2.00	orange + green	635.00					



RL* : Rod length of lower rod.

φd : Recommended rod dia. maximum (diameter) one size higher possible.

*1 Total Rated Deflection includes deflection of the DUO-DEFLECTION hanger element.

*2 Spring Rate is rated load divided by rated deflection of SPRING only.

*Notes :

- (1) SH-2B410 & SH-2B500i only has a 40% additional deflection to solid.
- (2) SH-2B530, SH-2B600i, SH-2B650i & SH-2B750i has a FULL 50% additional deflection to solid.
- (3) SH-2C765, SH-2C850i, SH-2C930i, SH-2C1100i, SH-2C1220i & SH-2C1270i only has a 27% additional deflection to solid.
- (4) SH-2B500i has a yellow spring inside.
- (5) SH-2B600i has a orange spring inside.
- (6) SH-2B650i has a red spring inside.
- (7) SH-2B750i has a pink spring inside.
- (8) SH-2C850i has a yellow spring inside.
- (9) SH-2C930i has a black spring inside.
- (10) SH-2C1100i has a red spring inside.
- (11) SH-2C1220i has a yellow spring inside.
- (12) SH-2C1270i has a green spring inside.

Model / Size	Down-rated capacity (lbs.)	Down-rated deflection (in.)
SH-2B410	383	1.87
SH-2B500i	467	1.87
SH-2C765	646	1.69
SH-2C850i	719	1.69
SH-2C930i	786	1.69
SH-2C1100i	930	1.69
SH-2C1220i	1031	1.69
SH-2C1270i	1075	1.69

Spring Hangers

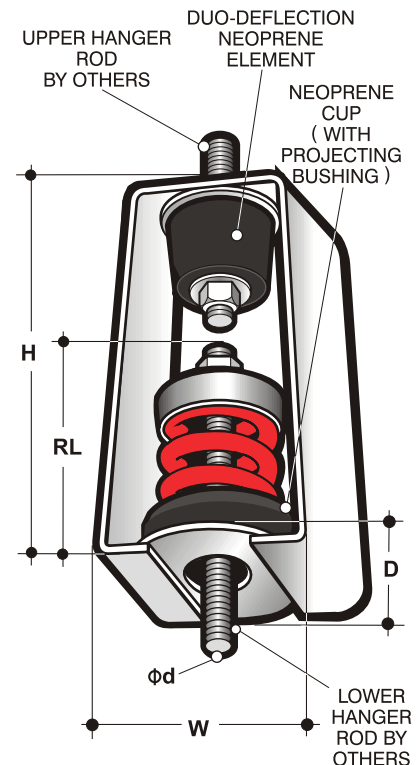
• SHDD-2A • SHDD-2B • SHDD-2C

Combination of Spring & Duo-Deflection Neoprene Element

SHDD-2A, SHDD-2B & SHDD-2C are combinations of SH-2A, SH-2B & SH-2C spring hanger and Duo-Deflection neoprene element respectively. The Duo-Deflection neoprene element is 0.25 inch to 0.3 inch average rated and helps isolate most of noise and vibration above

900 RPM (15Hz) range while the spring is isolating main range of disturbing vibration frequencies. Recommended to be used in more critical applications of which 1-inch deflection type is not just good enough to perform.

Model / Size	Rated Load (lbs.)	Total Rated Defl.* ¹ (in.)	Spring Color Code	Spring Rate.* ² (lbs./in.)	Dimension (mm)				
					H	W	D	RL*	Φd
SHDD-2A15e	15	2.30	orange	7.32	190	85	70	115	M12
SHDD-2A20e	20	2.25	blue	10.00					
SHDD-2A25e	25	2.25	yellow	12.50					
SHDD-2A37e	37	2.25	green	18.50					
SHDD-2A53e	53	2.25	black	26.50					
SHDD-2A70e	70	2.25	orange	35.00				120	
SHDD-2A85e	85	2.25	red	42.50					
SHDD-2A105e	105	2.25	yellow	52.50					
SHDD-2A160e	160	2.25	blue	80.00					
SHDD-2A210e	210	2.25	brown	105.00					
SHDD-2A265e	265	2.25	green	132.50					
SHDD-2B150	150	2.30	brown	75.00	240	100	90	140	M16
SHDD-2B200	200	2.30	orange	100.00					
SHDD-2B260	260	2.30	pink	130.00					
SHDD-2B320	320	2.30	grey	160.00					
SHDD-2B410 * ⁽¹⁾	410	2.30	black	205.00					
SHDD-2B500i * ⁽⁴⁾	500	2.30	black + yellow	250.00					
SHDD-2B530 * ⁽²⁾	530	2.30	dark blue	265.00					
SHDD-2B600i * ⁽⁵⁾	600	2.30	dark blue + orange	300.00					
SHDD-2B650i * ⁽⁶⁾	650	2.30	dark blue + red	325.00					
SHDD-2B750i * ⁽⁷⁾	750	2.30	dark blue + pink	375.00					
SHDD-2C260	260	2.65	brown	115.56	270	115	110	170	M20
SHDD-2C340	340	2.50	blue	154.55					
SHDD-2C430	430	2.30	yellow	215.00					
SHDD-2C570	570	2.30	black	285.00					
SHDD-2C765 * ⁽³⁾	765	2.30	orange	382.50					
SHDD-2C850i * ⁽⁸⁾	850	2.30	orange + yellow	425.00					
SHDD-2C930i * ⁽⁹⁾	930	2.30	orange + black	465.00					
SHDD-2C1100i * ⁽¹⁰⁾	1100	2.30	orange + red	550.00					
SHDD-2C1220i * ⁽¹¹⁾	1220	2.30	orange + yellow	610.00					
SHDD-2C1270i * ⁽¹²⁾	1270	2.30	orange + green	635.00					



RL* : Rod length of lower rod.

Φd : Recommended rod dia. maximum (diameter) one size higher possible.

*1 Total Rated Deflection includes deflection of the DUO-DEFLECTION hanger element.

*2 Spring Rate is rated load divided by rated deflection of SPRING only.

*Notes :

- (1) SHDD-2B410 & SHDD-2B500i only has a 40% additional deflection to solid.
- (2) SHDD-2B530, SHDD-2B600i, SHDD-2B650i & SHDD-2B750i has a FULL 50% additional deflection to solid.
- (3) SHDD-2C765, SHDD-2C850i, SHDD-2C930i, SHDD-2C1100i, SHDD-2C1100i, SHDD-2C1220i & SHDD-2C1270i only has a 27% additional deflection to solid.
- (4) SHDD-2B500i has a yellow spring inside.
- (5) SHDD-2B600i has a orange spring inside.
- (6) SHDD-2B650i has a red spring inside.
- (7) SHDD-2B750i has a pink spring inside.
- (8) SHDD-2C850i has a yellow spring inside.
- (9) SHDD-2C930i has a black spring inside.
- (10) SHDD-2C1100i has a red spring inside.
- (11) SHDD-2C1220i has a yellow spring inside.
- (12) SHDD-2C1270i has a green spring inside.

If a FULL 50% additional deflection is specified then use the "Down-Rated" ratings as shown following:

Model / Size	Down-rated capacity (lbs.)	Down-rated deflection (in.)
SHDD-2B410	383	1.87
SHDD-2B500i	467	1.87
SHDD-2C765	646	1.69
SHDD-2C850i	719	1.69
SHDD-2C930i	786	1.69
SHDD-2C1100i	930	1.69
SHDD-2C1220i	1031	1.69
SHDD-2C1270i	1075	1.69