



TIED UNIVERSAL 3.5-25 BAR

Specification:

Bellows : Austenitic Stainless Steel
 Weld End : Carbon Steel Or Stainless Steel
 Flanges : Carbon Steel BS, ANSI, DIN

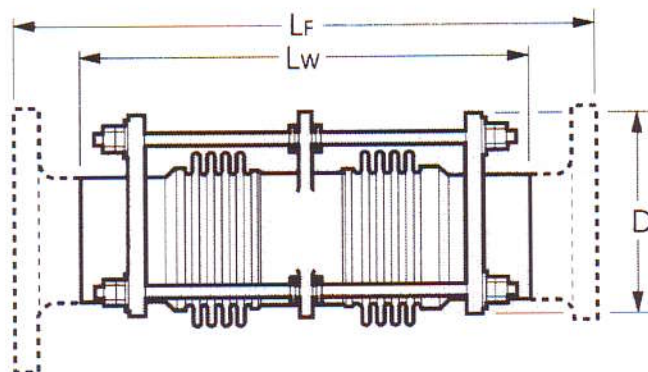
Notes

- Unit weights are estimated and refer to weld end unit.
- To increase lateral movement capability, the overall length of the unit must be increased.
 New length of unit = Original length + NX

Where

N is number of additions ± 25 mm increments of lateral movement required.

X is tabulated below. New lateral spring rate = $\frac{1 \times \text{Original lateral rate}}{(N + 1)^2}$



N.B. mm	Press. Lat'l Bar g	Movement		Overall length		Pipe O.D. mm	Thick Dw mm	Weld end DF mm	Flange end mm	X length mm	Lat'l spring rate N/mm	Approx. Wt. Kg
		Total Lat'l mm	\pm Lw mm	Weld end LF mm	Flange end mm							
80	6	50	25	555	575	88.9	To be Specified by Purchaser	230	280	197	4.3	13
	10	50	25	555	575	88.9		230	280	197	4.3	13
	16	50	25	570	590	88.9		260	335	200	6.2	14
	25	50	25	560	580	88.9		260	335	200	12.3	18
100	6	50	25	630	650	114.3		255	310	224	4.9	15
	10	50	25	630	650	114.3		255	310	224	4.9	17
	16	50	25	650	680	114.3		310	410	235	6.7	21
	25	50	25	620	640	114.3		310	410	220	16.1	32
125	6	50	25	630	650	141.3		280	360	224	8.3	24
	10	50	25	630	650	141.3		280	360	224	8.3	25
	16	50	25	650	670	141.3		330	435	235	11.4	30
	25	50	25	620	640	141.3		330	435	220	25.2	39
150	6	50	25	680	700	168.3		340	385	221	20.3	30
	10	50	25	680	700	168.3		340	385	221	20.3	32
	16	50	25	700	720	168.3		385	485	231	27.8	43
	25	50	25	680	700	168.3		385	485	220	44.6	46
200	6	50	25	700	720	219.1	410	480	221	40.6	45	
	10	50	25	700	720	219.1	410	480	221	40.6	47	
	16	50	25	720	740	219.1	460	630	231	55.5	56	
	25	50	25	700	740	219.1	460	630	220	88.9	60	
250	6	50	25	740	760	273	480	585	221	74	80	
	10	50	25	740	760	273	480	585	221	74	85	
	16	50	25	760	780	273	540	685	231	101	90	
	25	50	25	740	760	273	540	685	220	162	130	

TIED UNIVERSAL 3.5-25 BAR



N.B. mm	Press. Lat'l Bar g	Movement		Overall length		Pipe O.D. mm	Thick Dw mm	Weld end DF mm	Flange end mm	X length mm	Lat'l spring rate N/mm	Approx. Wt. Kg
		Total Lat'l mm	± Lw mm	Weld end LF mm	Flange end mm							
300	3.5	50	25	755	790	323.9	To be Specified by Purchaser	525	620	218	183	65
	6	50	25	770	790	323.9		565	660	224	168	85
	10	50	25	770	790	323.9		565	660	224	168	85
	16	50	25	805	825	323.9		610	710	242	211	105
	25	50	25	895	915	323.9		610	710	286	320	160
350	3.5	50	25	755	610	355.6		630	630	218	192	70
	6	50	25	820	630	355.6		670	790	224	221	130
	10	50	25	820	630	355.6		670	790	224	221	185
	16	50	25	905	735	355.6		695	855	242	285	225
	25	50	25	1045	735	355.6		745	895	286	418	385
400	3.5	50	25	810	630	406.4		685	740	218	217	105
	6	50	25	870	655	406.4		730	870	224	321	190
	10	50	25	870	655	406.4		730	870	224	321	255
	16	50	25	955	760	406.4		755	940	242	413	320
	25	50	25	1095	760	406.4		810	990	286	611	505
450	3.5	50	25	865	650	457.2	760	785	224	217	135	
	6	50	25	920	680	457.2	815	965	224	430	250	
	10	50	25	920	680	457.2	815	965	224	430	310	
	16	50	25	1005	775	457.2	835	1020	242	556	385	
	25	50	25	1145	775	457.2	865	1090	286	843	660	
500	3.5	50	25	930	670	508	845	870	242	262	170	
	6	50	25	990	690	508	870	1070	242	528	315	
	10	50	25	990	690	508	870	1070	242	528	340	
	16	50	25	1005	790	508	910	1125	242	794	405	
	25	50	25	1190	790	508	960	1160	286	1162	795	
600	3.5	50	25	930	690	609.6	945	1020	290	306	240	
	6	50	25	985	705	609.6	945	1020	290	612	430	
	10	50	25	985	705	609.6	990	1220	290	612	455	
	16	50	25	1100	805	609.6	1045	1305	290	918	760	
	25	50	25	1145	805	609.6	1120	1120	290	1898	870	
700	3.5	50	25	1030	710	711.2	1070	1150	323	481	355	
	6	50	25	1090	750	711.2	1070	1150	323	692	580	
	10	50	25	1090	750	711.2	1125	1360	323	692	635	
	16	50	25	1205	1360	711.2	1200	1470	323	1445	945	
750	3.5	50	25	1030	730	762	1120	1230	323	566	390	
	6	50	25	1090	780	762	1120	1320	323	1130	685	
	10	50	25	1090	780	762	1205	1480	323	1130	735	
	16	50	25	1205	1390	762	1315	1315	323	1696	1100	
800	3.5	50	25	1120	750	812.8	1175	1310	363	557	475	
	6	50	25	1090	855	812.8	1195	1370	363	1114	810	
	10	50	25	1090	855	812.8	1275	1550	363	1114	915	
	16	50	25	1295	1420	812.8	1375	1375	363	1673	1175	



TIED UNIVERSAL 3.5-25 BAR

N.B. mm	Press. Lat'l Bar g	Movement		Overall length		Pipe O.D. mm	Thick Dw mm	Weld end DF mm	Flange end mm	X length mm	Lat'l spring rate N/mm	Approx. Wt. Kg
		Total Lat'l mm	± Lw mm	Weld end LF mm	Flange end mm							
900	3.5	50	25	1170	780	914.4	To be Specified by Purchaser	1250	1415	415	578	510
	6	50	25	1185	890	914.4		1320	1510	415	1198	1150
	10	50	25	1185	890	914.4		1405	1695	415	1198	1100
	16	50	25	1345	1510	914.4		1515	1515	415	1802	1525
1000	3.5	50	25	1220	840	1016		1390	1580	415	1925	705
	6	50	25	1235	915	1016		1470	1580	415	1623	1370
	10	50	25	1235	1370	1016		1525	1580	415	1623	1165
1050	3.5	50	25	1290	870	1065		1485	1640	485	1514	950
	6	50	25	1305	940	1065		1525	1805	485	1278	1590
	10	50	25	1305	1490	1065		1630	1940	485	1278	1275
1100	3.5	50	25	1340	900	1120		1525	1725	485	1854	1140
	6	50	25	1355	965	1120		1595	1805	485	1563	1845
	10	50	25	1355	1520	1120		1705	1705	485	1563	1470
1200	3.5	50	25	1435	920	1220		1625	1850	581	670	1285
	6	50	25	1450	1025	1220		1730	1910	581	1408	2055
	10	50	25	1450	1540	1220		1830	1830	581	1408	1680