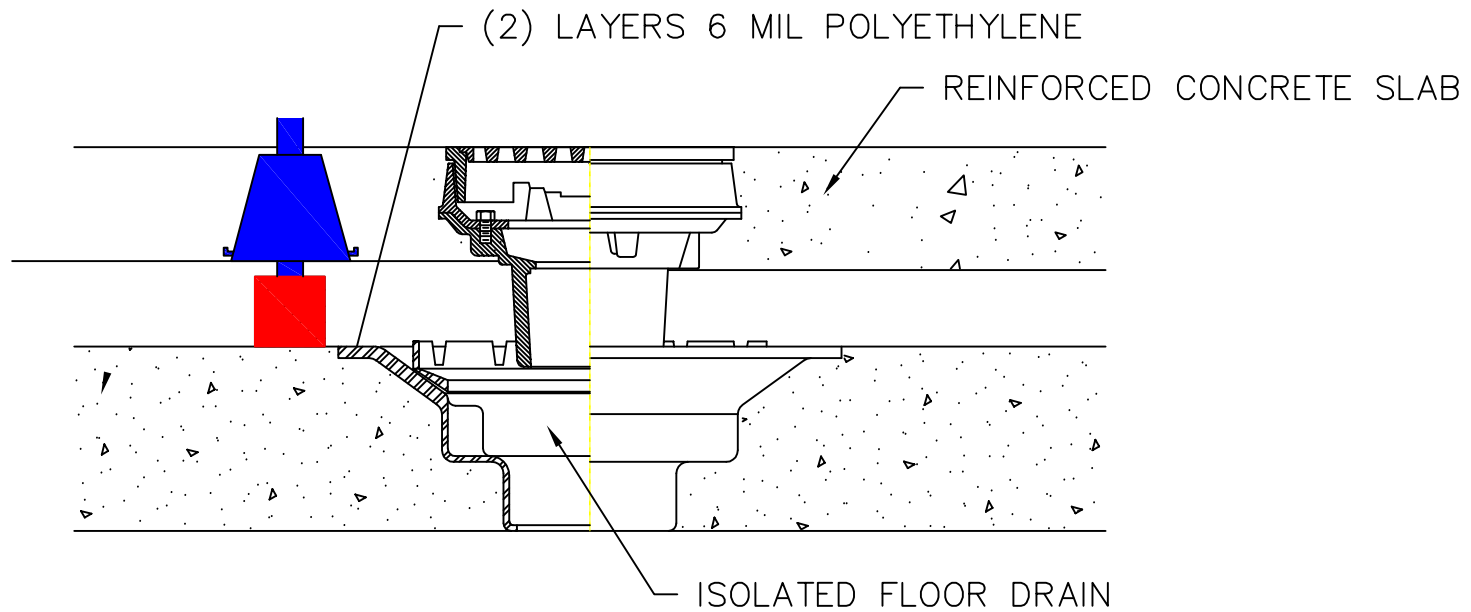


— STRUCTURAL SLAB

— dB RUBBER ISOLATION MOUNT



Drawing Title :

FLOATING FLOOR FLOOR DRAIN DETAILS

DRAWN:

DATE:

APPROVED:

DRAWING NO.

OPT/SMA/001FW

